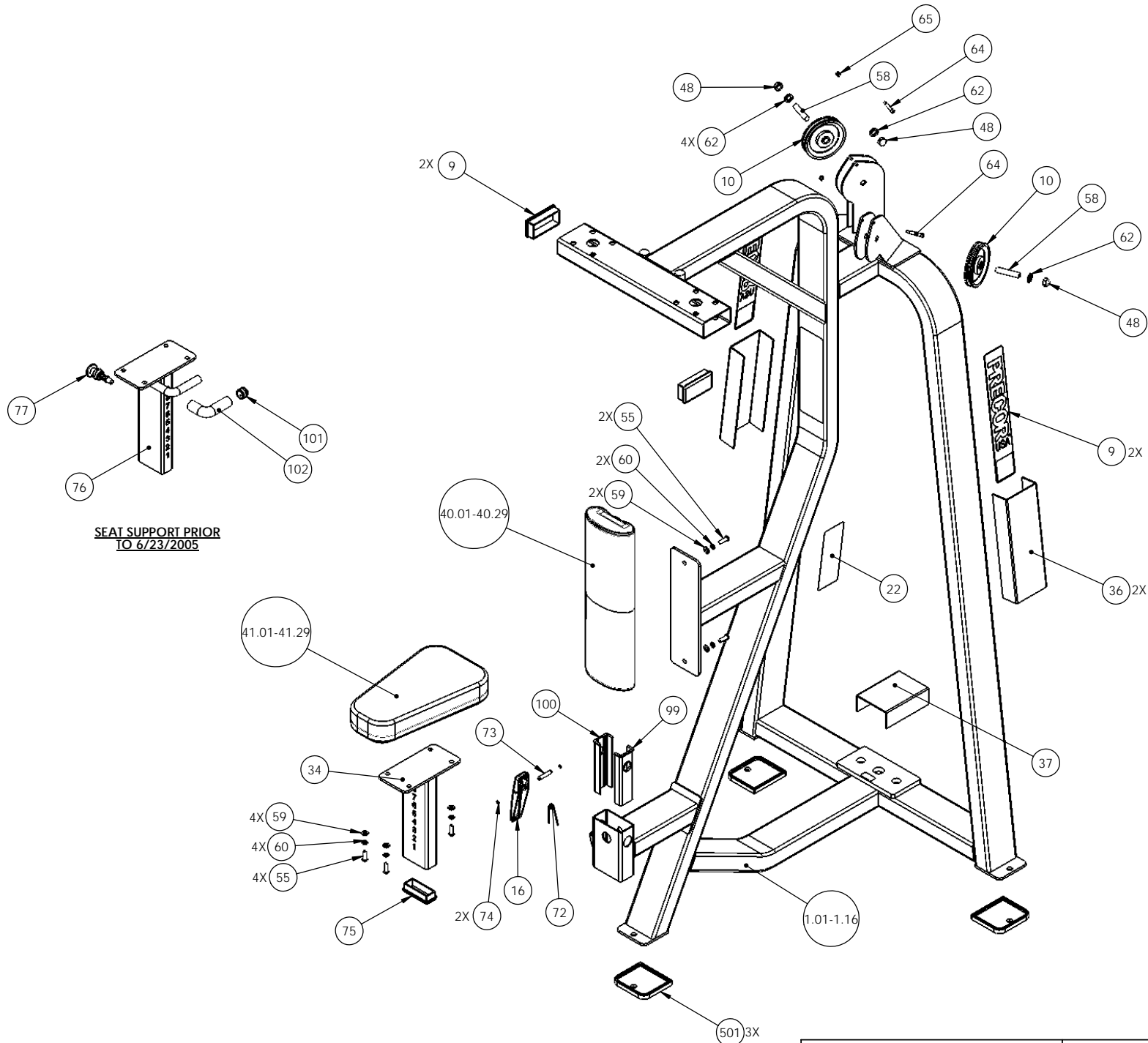
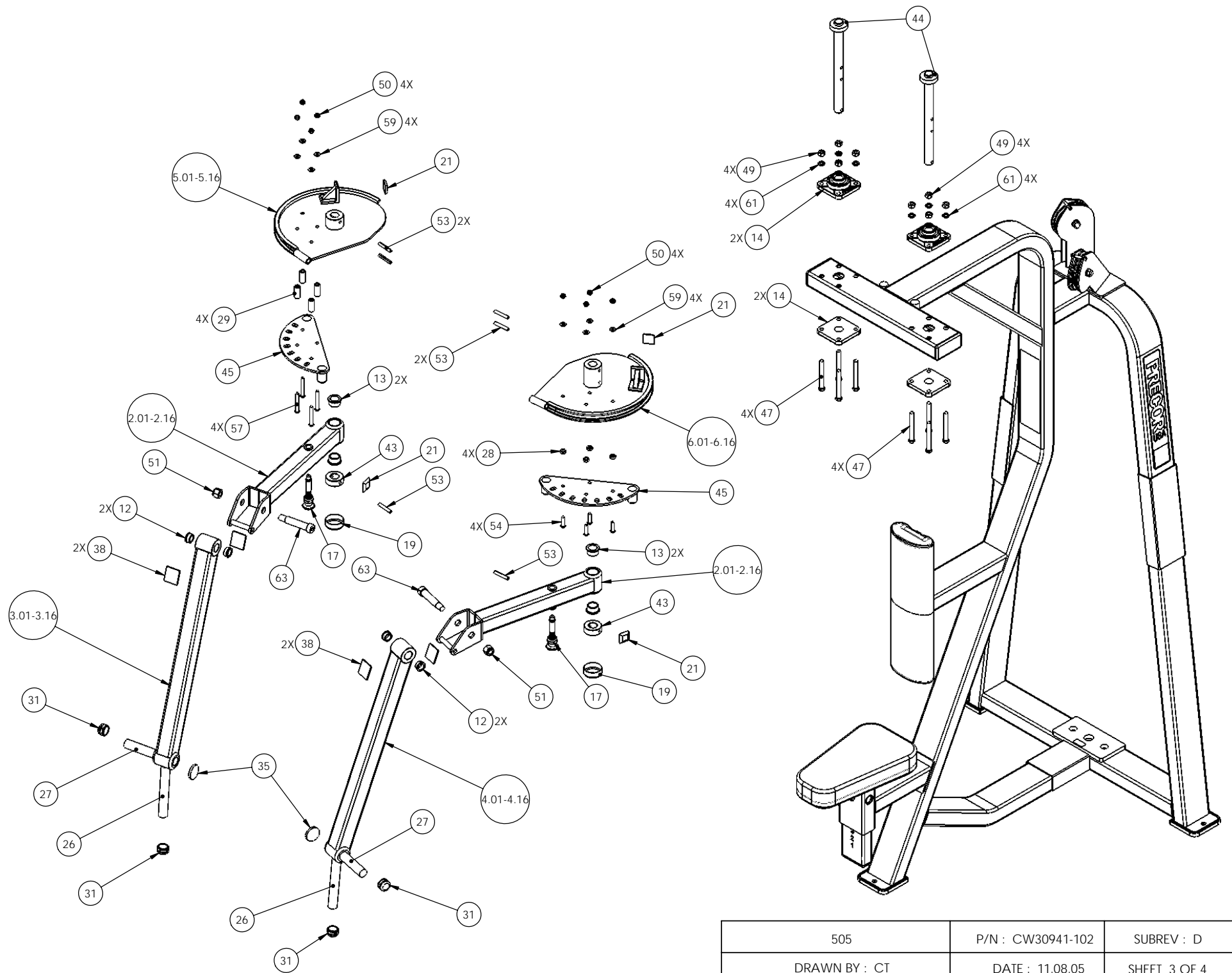


505	P/N : CW30941-102	SUBREV : D
DRAWN BY : CT	DATE : 11.08.05	SHEET 1 OF 4

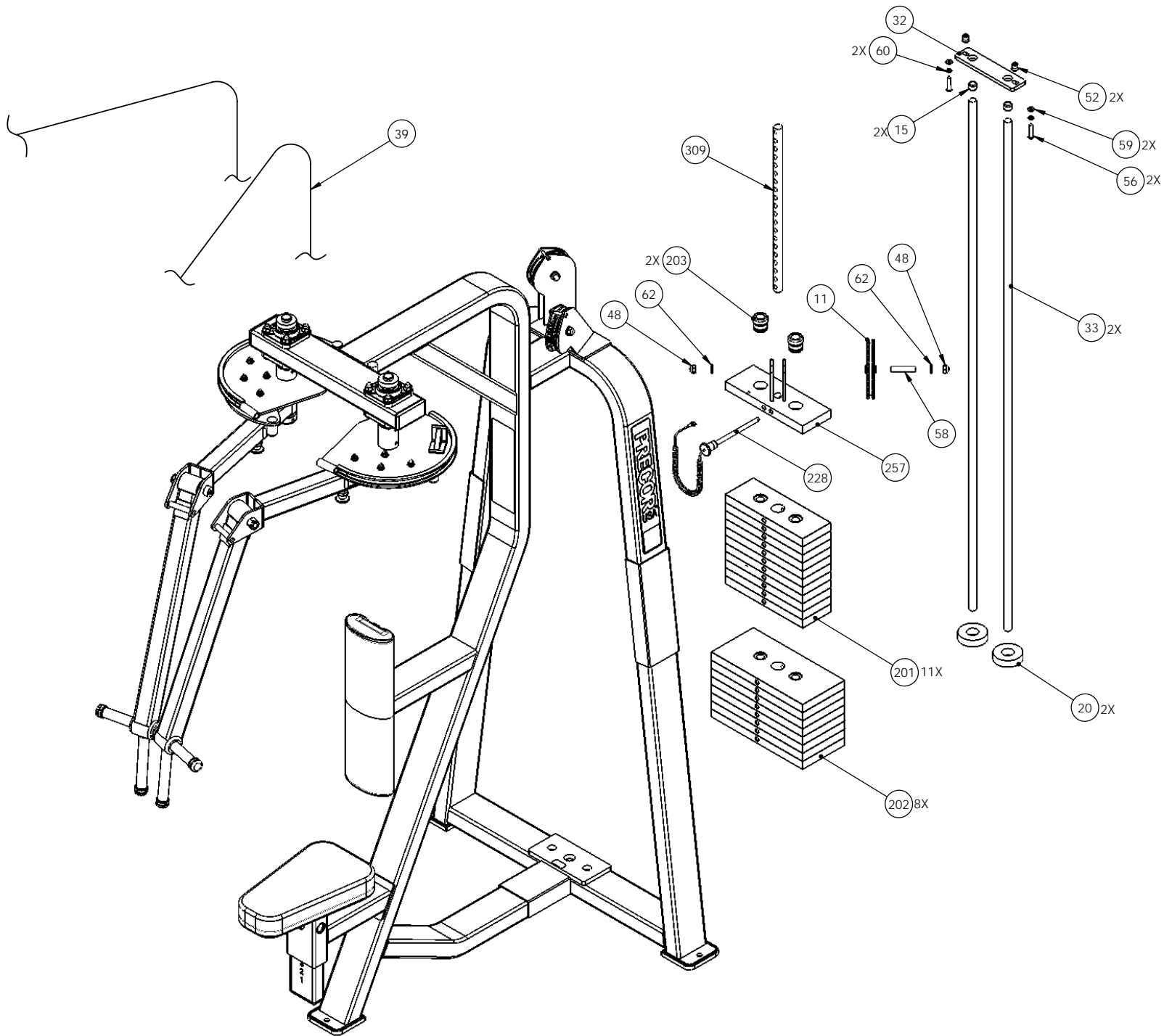


**SEAT SUPPORT PRIOR  
TO 6/23/2005**

505	P/N : CW30941-102	SUBREV : D
DRAWN BY : CT	DATE : 11.08.05	SHEET 2 OF 4



505	P/N : CW30941-102	SUBREV : D
DRAWN BY : CT	DATE : 11.08.05	SHEET 3 OF 4



505	P/N : CW30941-102	SUBREV : D
DRAWN BY : CT	DATE : 11.08.05	SHEET 4 OF 4

**505 Rear Delt-Pec Fly**

<b>Part Number</b>	<b>Description</b>	<b>Bubble Number</b>
CW505SA7-211	ASSY,FRAME,MAIN,505,SKY WHITE	1.01
CW505SA7-212	ASSY,FRAME,MAIN,505,SKY WHITE	1.01
CW505SA7-221	ASSY,FRAME,MAIN,505,BLACK	1.02
CW505SA7-222	ASSY,FRAME,MAIN,505,BLACK	1.02
CW505SA7-231	ASSY,FRAME,MAIN,505,RED	1.03
CW505SA7-241	ASSY,FRAME,MAIN,505,PLAT SPRKLE	1.04
CW505SA7-251	ASSY,FRAME,MAIN,505,SILVER	1.05
CW505SA7-261	ASSY,FRAME,MAIN,505,BLUE	1.06
CW505SA7-271	ASSY,FRAME,MAIN,505,CHARCOAL	1.07
CW505SA7-281	ASSY,FRAME,MAIN,505,CATH GRAY	1.08
CW505SA7-291	ASSY,FRAME,MAIN,505,SILVER VIEN	1.09
CW505SA7-311	ASSY,FRAME,MAIN,505,STONE HG	1.11
CW505SA7-312	ASSY,FRAME,MAIN,505,STONE HG	1.11
CW505SA7-321	ASSY,FRAME,MAIN,505,TITANIUM HG	1.12
CW505SA7-322	ASSY,FRAME,MAIN,505,TITANIUM HG	1.12
CW505SA7-331	ASSY,FRAME,MAIN,505,WHITE GLOSS	1.13
CW505SA7-351	ASSY,FRAME,MAIN,505,LT. BRONZE	1.15
CW505SA7-352	ASSY,FRAME,MAIN,505,LT. BRONZE	1.15
CW505SA7-361	ASSY,FRAME,MAIN,505,SAPPHIRE BL	1.16
CW505SA7-362	ASSY,FRAME,MAIN,505,SAPPHIRE BL	1.16
CW505SA1-211	ASSY,UPPER ARM,505,SKY WHITE	2.01
CW505SA1-221	ASSY,UPPER ARM,505,BLACK	2.02
CW505SA1-231	ASSY,UPPER ARM,505,RED	2.03
CW505SA1-241	ASSY,UPPER ARM,505,PLATINUM SPKLE	2.04
CW505SA1-251	ASSY,UPPER ARM,505,SILVER	2.05
CW505SA1-261	ASSY,UPPER ARM,505,BLUE	2.06
CW505SA1-271	ASSY,UPPER ARM,505,CHARCOAL	2.07
CW505SA1-281	ASSY,UPPER ARM,505,CATHEDRAL GRA	2.08
CW505SA1-291	ASSY,UPPER ARM,505,SILVER VIEN	2.09
CW505SA1-311	ASSY,UPPER ARM,505,STONE HG	2.11
CW505SA1-321	ASSY,UPPER ARM,505,TITANIUM HG	2.12
CW505SA1-331	ASSY,UPPER ARM,505,WHITE GLOSS	2.13
CW505SA1-341	ASSY,UPPER ARM,505,BLACK ONYX	2.14
CW505SA1-351	ASSY,UPPER ARM,505,LIGHT BRONZE	2.15
CW505SA1-361	ASSY,UPPER ARM,505,SAPPHIRE BLUE	2.16
CW505SA2-211	ASSY,ARM,LEFT,505,SKY WHITE	3.01
CW505SA2-221	ASSY,ARM,LEFT,505,BLACK	3.02
CW505SA2-231	ASSY,ARM,LEFT,505,RED	3.03
CW505SA2-241	ASSY,ARM,LEFT,505,PLAT SPKLE	3.04
CW505SA2-251	ASSY,ARM,LEFT,505,SILVER	3.05
CW505SA2-261	ASSY,ARM,LEFT,505,BLUE	3.06
CW505SA2-271	ASSY,ARM,LEFT,505,CHARCOAL	3.07
CW505SA2-281	ASSY,ARM,LEFT,505,CATH GRY	3.08
CW505SA2-291	ASSY,ARM,LEFT,505,SILVER VIEN	3.09
CW505SA2-311	ASSY,ARM,LEFT,505,STONE HG	3.11
CW505SA2-321	ASSY,ARM,LEFT,505,TITANIUM HG	3.12
CW505SA2-331	ASSY,ARM,LEFT,505,WHITE GLOSS	3.13
CW505SA2-341	ASSY,ARM,LEFT,505,BLACK ONYX	3.14
CW505SA2-351	ASSY,ARM,LEFT,505,LIGHT BRONZE	3.15

CW505SA2-361	ASSY,ARM,LEFT,505,SAPPHIRE BLUE	3.16
CW505SA3-211	ASSY,ARM,RIGHT,505,SKY WHITE	4.01
CW505SA3-221	ASSY,ARM,RIGHT,505,BLACK	4.02
CW505SA3-231	ASSY,ARM,RIGHT,505,RED	4.03
CW505SA3-241	ASSY,ARM,RIGHT,505,PLAT SPKLE	4.04
CW505SA3-251	ASSY,ARM,RIGHT,505,SILVER	4.05
CW505SA3-261	ASSY,ARM,RIGHT,505,BLUE	4.06
CW505SA3-271	ASSY,ARM,RIGHT,505,CHARCOAL	4.07
CW505SA3-281	ASSY,ARM,RIGHT,505,CATH GRY	4.08
CW505SA3-291	ASSY,ARM,RIGHT,505,SILVER VIEN	4.09
CW505SA3-311	ASSY,ARM,RIGHT,505,STONE HG	4.11
CW505SA3-321	ASSY,ARM,RIGHT,505,TITANIUM HG	4.12
CW505SA3-331	ASSY,ARM,RIGHT,505,WHITE GLOSS	4.13
CW505SA3-341	ASSY,ARM,RIGHT,505,BLACK ONYX	4.14
CW505SA3-351	ASSY,ARM,RIGHT,505,LIGHT BRONZE	4.15
CW505SA3-361	ASSY,ARM,RIGHT,505, SAPPHIRE BLUE	4.16
CW505SA5-211	ASSY,CAM,LEFT,505,SKY WHITE	5.01
CW505SA5-221	ASSY,CAM,LEFT,505,BLACK	5.02
CW505SA5-231	ASSY,CAM,LEFT,505,RED	5.03
CW505SA5-241	ASSY,CAM,LEFT,505,PLATINUM SPRKLE	5.04
CW505SA5-251	ASSY,CAM,LEFT,505,SILVER	5.05
CW505SA5-261	ASSY,CAM,LEFT,505,BLUE	5.06
CW505SA5-271	ASSY,CAM,LEFT,505,CHARCOAL	5.07
CW505SA5-281	ASSY,CAM,LEFT,505,CATHEDRAL GRAY	5.08
CW505SA5-291	ASSY,CAM,LEFT,505,SILVER VEIN	5.09
CW505SA5-311	ASSY,CAM,LEFT,505,STONE HG	5.11
CW505SA5-321	ASSY,CAM,LEFT,505,TITANIUM HG	5.12
CW505SA5-331	ASSY,CAM,LEFT,505,WHITE GLOSS	5.13
CW505SA5-341	ASSY,CAM,LEFT,505,BLACK ONYX	5.14
CW505SA5-351	ASSY,CAM,LEFT,505,LIGHT BRONZE	5.15
CW505SA5-361	ASSY,CAM,LEFT,505,SAPPHIRE BLUE	5.16
CW505SA6-211	ASSY,CAM,RIGHT,505,SKY WHITE	6.01
CW505SA6-221	ASSY,CAM,RIGHT,505,BLACK	6.02
CW505SA6-231	ASSY,CAM,RIGHT,505,RED	6.03
CW505SA6-241	ASSY,CAM,RIGHT,505,PLATINUM SPRKLE	6.04
CW505SA6-251	ASSY,CAM,RIGHT,505,SILVER	6.05
CW505SA6-261	ASSY,CAM,RIGHT,505,BLUE	6.06
CW505SA6-271	ASSY,CAM,RIGHT,505,CHARCOAL	6.07
CW505SA6-281	ASSY,CAM,RIGHT,505,CATHEDRAL GRAY	6.08
CW505SA6-311	ASSY,CAM,RIGHT,505,STONE HG	6.11
CW505SA6-321	ASSY,CAM,RIGHT,505,TITANIUM HG	6.12
CW505SA6-331	ASSY,CAM,RIGHT,505,WHITE GLOSS	6.13
CW505SA6-341	ASSY,CAM,RIGHT,505,BLACK ONYX	6.14
CW505SA6-351	ASSY,CAM,RIGHT,505,LIGHT BRONZE	6.15
CW505SA6-361	ASSY,CAM,RIGHT,505,SAPPHIRE BLUE	6.16
CWAC1009-101	PULLEY, 4 1/2 DIA. X 1/2 ID	10
CWAC1010-101	PULLEY, 6 DIA X 1/2 ID	11
CW10043-133	BUSHING, BRONZE, 3/4" ID X 1" OD	12
CW10043-134	BUSHING, BRONZE, 1" ID X 1 1/4" OD	13
CW12405-101	PILLOW BLOCK, BEARING, FLANGE, 4 BO	14
CW12404-101	CAP, GUIDE ROD,DIA 3/4, BLK	15

CW32460-321	ASSY, RATCHETING LEVER, TITANIUM	16
CW30501-751	ASSY, POP PIN, 0.450 DIA HANDLE, BL	17
CW11311-102	ENDCAP, REC TUBE, 2X4, BLK PLASTIC	18
CW10514-102	CAP, VINYL DIP MOLDED, DIA 2.00	19
CW12402-101	BUMPER, WEIGHT STACK, BLK RUBBER	20
CW12575-101	MOULDED BUMPON, BLACK, 31.75MM SQ (	21
CWGR2606-000	GRIP,RUBBER, 1" DIA, 6"	26
CWGR2603-125	GRIP,RUBBER, 1" DIA, 3-1/4"	27
CWAC1228-901	SPACER, ALU,.328 ID X .625 OD X .25	28
CWAC1229-901	SPACER, ALU,.328 ID X .625 OD X 1.5	29
CWAC218-901	HANDLE END CAP W/SET SCREWS, DIA 1"	31
CWPF1216-711	GUIDE ROD,3/4 X (62 5/8), (#6), CHM	33
CW30181-711	ASSY,SEAT SUPPORT,9 HOLE,CHM	34
CW32535-711	ASSEMBLY, SEAT ADJUSTMENT, 8 HOLE,	34
CWCP1046-101	CUT PIECE, CREPE, ROUND, .25 THICK,	35
CWCP8112-000	CUT PIECE, ABS CHANNEL,1/8 X 2 X 4	36
CWCP8106-000	CP, ABS CHANNEL, 1/8 X 2 X 4 X 6	37
CW30012-103	CUT PIECE, ABS BLACK, 1/8 X 1 3/4 X	38
CWCLHH178-500	ASSY, CABLE, 405, 505	39
CWPD1141J-101	PAD,4X19,2HOLES,W/BP,BLACK, W/SLIP	40.01
CWPD1141J-102	PAD,4X19,2HOLES,W/BP,RYL BL, W/SLIP	40.02
CWPD1141J-103	PAD,4X19,2HOLES,W/BP,DVE GRY, W/SLI	40.03
CWPD1141J-104	PAD,4X19,2HOLES,W/BP,CROCUS, W/SLIP	40.04
CWPD1141J-105	PAD,4X19,2HOLES,W/BP,GROTTO, W/SLIP	40.05
CWPD1141J-106	PAD,4X19,2HOLES,W/BP,GRAPHITE, W/SL	40.06
CWPD1141J-107	PAD,4X19,2HOLES,W/BP,RED, W/SLIP	40.07
CWPD1141J-108	PAD,4X19,2HOLES,W/BP,CHN GRN, W/SLI	40.08
CWPD1141J-109	PAD,4X19,2HOLES,W/BP,TURQSE,W/SLIP	40.09
CWPD1141J-110	PAD,4X19,2HOLES,W/BP,RASP,W/SLIP	40.1
CWPD1141J-111	PAD,4X19,2HOLES,W/BP,PLUM, W/SLIP	40.11
CWPD1141J-112	PAD,4X19,2HOLES,W/BP,REGIMENT,W/SLI	40.12
CWPD1141J-113	PAD,4X19,2HOLES,W/BP,SPC BLUE,W/SLI	40.13
CWPD1141J-115	PAD,4X19,2HOLES,W/BP,BLK LTHR,W/SLI	40.15
CWPD1141J-116	PAD,4X19,2HOLES,W/BP,NVBL LTH,W/SLI	40.16
CWPD1141J-117	PAD,4X19,2HOLES,W/BP,PUTTY,W/SLIP	40.17
CWPD1141J-118	PAD,4X19,2HOLES,W/BP,IMPRL BL,W/SLI	40.18
CWPD1141J-119	PAD,4X19,2HOLES,W/BP,YEW GRN,W/SLIP	40.19
CWPD1141J-120	PAD,4X19,2HOLES,W/BP,DSTY JD,W/SLIP	40.2
CWPD1141J-121	PAD,4X19,2HOLES,W/BP,TER COT,W/SLIP	40.21
CWPD1141J-122	PAD,4X19,2HOLES,W/BP,PAPRIKA,W/SLIP	40.22
CWPD1141J-123	PAD,4X19,2HOLES,W/BP,ASH LTHR,W/SLI	40.23
CWPD1141J-124	PAD,4X19,2HOLES,W/BP,CERULEAN LTHR,	40.24
CWPD1141J-125	PAD,4X19,2HOLES,W/BP,CHARCOAL LTHR,	40.25
CWPD1141J-126	PAD,4X19,2HOLES,W/BP,HUNTER LTHR,W/	40.26
CWPD1141J-127	PAD,4X19,2HOLES,W/BP,MOSS LTHR,W/SL	40.27
CWPD1141J-128	PAD,4X19,2HOLES,W/BP,SPICE LTHR,W/S	40.28
CWPD1141J-129	PAD,4X19,2HOLES,W/BP,TOMATO LTHR,W/	40.29
CWPD1207A-101	PAD,5X9X14.5,4HOLES,BLACK	41.01
CWPD1207A-102	PAD,5X9X14.5,4HOLES,RYL BL	41.02
CWPD1207A-103	PAD,5X9X14.5,4HOLES,DVE GRY	41.03
CWPD1207A-104	PAD,5X9X14.5,4HOLES,CROCUS	41.04

CWPD1207A-105	PAD,5X9X14.5,4HOLES,GROTTO	41.05
CWPD1207A-106	PAD,5X9X14.5,4HOLES,,GRAPHITE	41.06
CWPD1207A-107	PAD,5X9X14.5,4HOLES,RED	41.07
CWPD1207A-108	PAD,5X9X14.5,4HOLES,CHN GRN	41.08
CWPD1207A-109	PAD,5X9X14.5,4HOLES,TURQSE	41.09
CWPD1207A-110	PAD,5X9X14.5,4HOLES,RASP	41.1
CWPD1207A-111	PAD,5X9X14.5,4HOLES,PLUM	41.11
CWPD1207A-112	PAD,5X9X14.5,4HOLES,REGIMENT	41.12
CWPD1207A-113	PAD,5X9X14.5,4HOLES,SPC BLUE	41.13
CWPD1207A-115	PAD,5X9X14.5,4HOLES,BLK LTHR	41.15
CWPD1207A-116	PAD,5X9X14.5,4HOLES,NVBL LTH	41.16
CWPD1207A-117	PAD,5X9X14.5,4HOLES,PUTTY	41.17
CWPD1207A-118	PAD,5X9X14.5,4HOLES,IMPRL BL	41.18
CWPD1207A-119	PAD,5X9X14.5,4HOLES,YEW GRN	41.19
CWPD1207A-120	PAD,5X9X14.5,4HOLES,DSTY JD	41.2
CWPD1207A-121	PAD,5X9X14.5,4HOLES,TER COT	41.21
CWPD1207A-122	PAD,5X9X14.5,4HOLES,PAPRIKA	41.22
CWPD1207A-123	PAD,5X9X14.5,4HLS,ASH LTHR	41.23
CWPD1207A-124	PAD,5X9X14.5,4HLS,CERULAN LTHR	41.24
CWPD1207A-125	PAD,5X9X14.5,4HLS,CHARCOAL LTHR	41.25
CWPD1207A-126	PAD,5X9X14.5,4HLS,HUNTER LTHR	41.26
CWPD1207A-127	PAD,5X9X14.5,4HLS,MOSS LTHR	41.27
CWPD1207A-128	PAD,5X9X14.5,4HLS,SPICE LTHR	41.28
CWPD1207A-129	PAD,5X9X14.5,4HLS,TOMATO LTH	41.29
CWPF1016-731	BAR,,FLAT CR/HR, 3/8 X 2 X 8 1/4, 3	42
CWPF1256-731	TUBE,STEEL, RND, DOM, 2 OD X 1 ID X	43
CWSA1612-731	ASSY,CAM SHAFT PIVOT, BLK ZN	44
CWSA2052-721	ASSY,CAM SELECTOR, WRKL BLK	45
CWHCYN044-375	SCREW, HEX HEAD , BLK XYLA	47
CWKADLN050-081	NUT, ACORN, 1/2-13	48
CWKMYN044-038	NUT, HEX, UNC, 7/16-14, BLK XYLAN	49
CWKAYN031-025	LOCKNUT, NYLON INSERT, HALF, UNC,	50
CWKAYN063-075	LOCKNUT, NYLON INSERT, FULL, UNC, 5	51
CW12537-109	NUT,INSERT,THIN-NUT,LARGE FLANGE	52
CW12537-109	NUT,INSERT,THIN-NUT,LARGE FLANGE	53
CWLDNN031-200	PIN, ROLL, DIA 5/16 X 2.00	53
CWLDNN031-200	PIN, ROLL, DIA 5/16 X 2.00	54
CWTAYN031-125	SCREW, BUTTON HEAD, BLK XYLAN, 5/1	54
CWTAYN031-100	SCREW, BUTTON HEAD, BLK XYLAN, 5/1	55
CWTAYN031-150	SCREW, BUTTON HEAD, BLK XYLAN,5/16	56
CWTAYN031-250	SCREW, BUTTON HEAD, BLK XYLAN, 5/	57
CWBFNN050-250	STUD, 1/2-13 X 2 1/2	58
CWWBKN031-007	WASHER, FLAT, TYPE A, SAE, 5/16 ID	59
CWWALYN031-008	WASHER, SPLIT, 5/16 ID, BL	60
CWWALYN044-011	WASHER, SPLIT, 7/16 ID, BLK XYLAN	61
CWWALYN050-013	WASHER, SPLIT, 1/2 ID, BLK XYLAN	62
CWRANN063-300	BOLT, SHOULDER, 5/8 - 11 X 3/4 X 3	63
CWRANN019-125	BOLT, SHOULDER, 10-24 X 1/4 X 1 1/4	64
CWKDYN019-023	LOCKNUT, NYLON INSERT, FULL,UNC, 10	65
CW31756-101	LABEL, PRECOR USA ICARIAN LINE	66
CWLDNN031-200	PIN, ROLL, DIA 5/16 X 2.00	67



CW30010-101	LABEL,WARNING STRENGTH	68
CW30042-101	LABEL,INSTRUCTION,505	69
CW31756-101	LABEL, PRECOR USA ICARIAN LINE	69
CW31784-731	STOP PLUG, BLK ZN	70
CW12634-101	SPRING, TORSION 90 DEG X 0.484 X 0.	72
CW31770-742	LATCH PIVOTING PIN, CLR ZN	73
CWAMNN028-003	RING, RETAINING, 2-TURN, SPIRAL, SS	74
CW12633-101	ENDCAP, REC TUBE, LDP, 1 1/2 X 3 1	75
CW30181-711	ASSY,SEAT SUPPORT,9 HOLE,CHM	76
CW30165-751	ASSY, POP PIN, 0.450 DIA HANDLE, B	77
CWAC1236-101	GUIDE INSERT, PLASTIC WITHOUT HOLE,	99
CWAC1236-102	GUIDE INSERT, PLASTIC WITH HOLE, BL	100
CWAC220-901	HANDLE END CAP W/SET SCREWS, DIA 3/	101
CWGR2505-000	GRIP,RUBBER,3/4" DIA, 5"	102
CW10510-721	ASSY, PLATE, WEIGHT, 10 LBS, WRKL B	201
CW10520-721	ASSY, PLATE, WEIGHT, 20 LBS, WRKL B	202
CWAC1133-101	BUSHING, WEIGHT PLATE, LDPE PLASTIC	203
CW30173-751	ASSY, 6.00 IN WEIGHT STACK PIN AND	228
CWLDNN038-200	PIN, ROLL, DIA 3/8 X 2	250
CW30184-901	ASSY,BARREL,TOP PLATE,ALUMINUM	251
CW30391-721	WELDMENT, WEIGHT, TOP, MTP-S, PF118	257
CW30132-712	SELECTOR STEM, 20 PLATE,0 .875 DIA,	309
CWAC1185-101	LABL,KEEP HND&FT CLR(CEMCO)3/8X6.75	312
CW12401-106	LABEL, WEIGHT PLATE, 20 LBS/ 8 KG	319
CW12401-110	LABEL, WEIGHT PLATE, 30 LBS/ 13.6 K	323
CW12401-114	LABEL, WEIGHT PLATE, 40 LBS/ 18.2 K	327
CW12401-118	LABEL, WEIGHT PLATE, 50 LBS/ 22.7 K	331
CW12401-120	LABEL, WEIGHT PLATE, 60 LBS/ 27.3 K	333
CW12401-122	LABEL, WEIGHT PLATE, 70 LBS/ 31.8 K	335
CW12401-124	LABEL, WEIGHT PLATE, 80 LBS/ 36.4 K	337
CW12401-126	LABEL, WEIGHT PLATE, 90 LBS/ 40.9 K	339
CW12401-128	LABEL, WEIGHT PLATE, 100 LBS/ 45.5	341
CW12401-129	LABEL, WEIGHT PLATE, 110 LBS/ 50 KG	342
CW12401-130	LABEL, WEIGHT PLATE, 120 LBS/ 54.6	343
CW12401-132	LABEL, WEIGHT PLATE, 140 LBS/ 63.6	345
CW12401-134	LABEL, WEIGHT PLATE, 160 LBS/ 72.7	347
CW12401-136	LABEL, WEIGHT PLATE, 180 LBS/ 81.8	349
CW12401-138	LABEL, WEIGHT PLATE, 200 LBS/ 90.9	351
CW12401-140	LABEL, WEIGHT PLATE, 220 LBS/ 100 K	353
CW12401-142	LABEL, WEIGHT PLATE, 240 LBS/ 109.1	355
CW12401-144	LABEL, WEIGHT PLATE, 260 LBS/ 118.2	357
CW12401-145	LABEL, WEIGHT PLATE, 280 LBS/ 127.3	358
CW12401-146	LABEL, WEIGHT PLATE, 300 LBS/ 136.4	359
CW12401-147	LABEL, WEIGHT PLATE, 320 LBS/ 145.5	360
CW12537-109	NUT,INSERT,THIN-NUT,LARGE FLANGE	400
CW30126-101	LABEL,VINYL, PRECOR, 3.25 X 18.0	401
CWKAYN031-025	LOCKNUT, NYLON INSERT, HALF, UNC,	402
CWPF2308-721	BAR, FLAT 3/16 X 1 X (26 3/8), 4 BE	403
CWPF3143-211	SHROUD,SHEET,STEEL,3/32 THICK,4 BEN	404.01
CWPF3143-221	SHROUD,SHEET,STEEL,3/32 THICK,4 BEN	404.02
CWPF3143-231	SHROUD,SHEET,STEEL,3/32 THICK,4 BEN	404.03

CWPF3143-241	SHROUD,SHEET,STEEL,3/32 THICK,4 BEN	404.04
CWPF3143-251	SHROUD,SHEET,STEEL,3/32 THICK,4 BEN	404.05
CWPF3143-261	SHROUD,SHEET,STEEL,3/32 THICK,4 BEN	404.06
CWPF3143-271	SHROUD,SHEET,STEEL,3/32 THICK,4 BEN	404.07
CWPF3143-281	SHROUD,SHEET,STEEL,3/32 THICK,4 BEN	404.08
CWPF3143-291	SHROUD,SHEET,STEEL,3/32 THICK,4 BEN	404.09
CWPF3143-311	SHROUD,SHEET,STEEL,3/32 THICK,4 BEN	404.11
CWPF3143-321	SHROUD,SHEET,STEEL,3/32 THICK,4 BEN	404.12
CWPF3143-331	SHROUD,SHEET,STEEL,3/32 THICK,4 BEN	404.13
CWPF3143-341	SHROUD,SHEET,STEEL,3/32 THICK,4 BEN	404.14
CWPF3143-351	SHROUD,SHEET,STEEL,3/32 THICK,4 BEN	404.15
CWPF3143-361	SHROUD,SHEET,STEEL,3/32 THICK,4 BEN	404.16
CWPF3144-721	SHROUD BRKT,PLATE,STEEL,1/8 THICK,1	405
CWTAYN031-100	SCREW, BUTTON HEAD, BLK XYLAN, 5/1	406
CWWALYN031-008	WASHER, SPLIT, 5/16 ID, BL	407
CWWBKN031-007	WASHER, FLAT, TYPE A, SAE, 5/16 ID	408
CWAC1177-101	FLOOR PROTECTOR, RUBBER, 4.563 X 4.	501

**505 Rear Delt-Pec Fly**

<b>Part Number</b>	<b>Description</b>	<b>Bubble Number</b>
CW505SA7-211	ASSY,FRAME,MAIN,505,SKY WHITE	1.01
CW505SA7-212	ASSY,FRAME,MAIN,505,SKY WHITE	1.01
CW505SA7-221	ASSY,FRAME,MAIN,505,BLACK	1.02
CW505SA7-222	ASSY,FRAME,MAIN,505,BLACK	1.02
CW505SA7-231	ASSY,FRAME,MAIN,505,RED	1.03
CW505SA7-241	ASSY,FRAME,MAIN,505,PLAT SPRKLE	1.04
CW505SA7-251	ASSY,FRAME,MAIN,505,SILVER	1.05
CW505SA7-261	ASSY,FRAME,MAIN,505,BLUE	1.06
CW505SA7-271	ASSY,FRAME,MAIN,505,CHARCOAL	1.07
CW505SA7-281	ASSY,FRAME,MAIN,505,CATH GRAY	1.08
CW505SA7-291	ASSY,FRAME,MAIN,505,SILVER VIEN	1.09
CW505SA7-311	ASSY,FRAME,MAIN,505,STONE HG	1.11
CW505SA7-312	ASSY,FRAME,MAIN,505,STONE HG	1.11
CW505SA7-321	ASSY,FRAME,MAIN,505,TITANIUM HG	1.12
CW505SA7-322	ASSY,FRAME,MAIN,505,TITANIUM HG	1.12
CW505SA7-331	ASSY,FRAME,MAIN,505,WHITE GLOSS	1.13
CW505SA7-351	ASSY,FRAME,MAIN,505,LT. BRONZE	1.15
CW505SA7-352	ASSY,FRAME,MAIN,505,LT. BRONZE	1.15
CW505SA7-361	ASSY,FRAME,MAIN,505,SAPPHIRE BL	1.16
CW505SA7-362	ASSY,FRAME,MAIN,505,SAPPHIRE BL	1.16
CW505SA1-211	ASSY,UPPER ARM,505,SKY WHITE	2.01
CW505SA1-221	ASSY,UPPER ARM,505,BLACK	2.02
CW505SA1-231	ASSY,UPPER ARM,505,RED	2.03
CW505SA1-241	ASSY,UPPER ARM,505,PLATINUM SPKLE	2.04
CW505SA1-251	ASSY,UPPER ARM,505,SILVER	2.05
CW505SA1-261	ASSY,UPPER ARM,505,BLUE	2.06
CW505SA1-271	ASSY,UPPER ARM,505,CHARCOAL	2.07
CW505SA1-281	ASSY,UPPER ARM,505,CATHEDRAL GRA	2.08
CW505SA1-291	ASSY,UPPER ARM,505,SILVER VIEN	2.09
CW505SA1-311	ASSY,UPPER ARM,505,STONE HG	2.11
CW505SA1-321	ASSY,UPPER ARM,505,TITANIUM HG	2.12
CW505SA1-331	ASSY,UPPER ARM,505,WHITE GLOSS	2.13
CW505SA1-341	ASSY,UPPER ARM,505,BLACK ONYX	2.14
CW505SA1-351	ASSY,UPPER ARM,505,LIGHT BRONZE	2.15
CW505SA1-361	ASSY,UPPER ARM,505,SAPPHIRE BLUE	2.16
CW505SA2-211	ASSY,ARM,LEFT,505,SKY WHITE	3.01
CW505SA2-221	ASSY,ARM,LEFT,505,BLACK	3.02
CW505SA2-231	ASSY,ARM,LEFT,505,RED	3.03
CW505SA2-241	ASSY,ARM,LEFT,505,PLAT SPKLE	3.04
CW505SA2-251	ASSY,ARM,LEFT,505,SILVER	3.05
CW505SA2-261	ASSY,ARM,LEFT,505,BLUE	3.06
CW505SA2-271	ASSY,ARM,LEFT,505,CHARCOAL	3.07
CW505SA2-281	ASSY,ARM,LEFT,505,CATH GRY	3.08
CW505SA2-291	ASSY,ARM,LEFT,505,SILVER VIEN	3.09
CW505SA2-311	ASSY,ARM,LEFT,505,STONE HG	3.11
CW505SA2-321	ASSY,ARM,LEFT,505,TITANIUM HG	3.12
CW505SA2-331	ASSY,ARM,LEFT,505,WHITE GLOSS	3.13
CW505SA2-341	ASSY,ARM,LEFT,505,BLACK ONYX	3.14
CW505SA2-351	ASSY,ARM,LEFT,505,LIGHT BRONZE	3.15

CW505SA2-361	ASSY,ARM,LEFT,505,SAPPHIRE BLUE	3.16
CW505SA3-211	ASSY,ARM,RIGHT,505,SKY WHITE	4.01
CW505SA3-221	ASSY,ARM,RIGHT,505,BLACK	4.02
CW505SA3-231	ASSY,ARM,RIGHT,505,RED	4.03
CW505SA3-241	ASSY,ARM,RIGHT,505,PLAT SPKLE	4.04
CW505SA3-251	ASSY,ARM,RIGHT,505,SILVER	4.05
CW505SA3-261	ASSY,ARM,RIGHT,505,BLUE	4.06
CW505SA3-271	ASSY,ARM,RIGHT,505,CHARCOAL	4.07
CW505SA3-281	ASSY,ARM,RIGHT,505,CATH GRY	4.08
CW505SA3-291	ASSY,ARM,RIGHT,505,SILVER VIEN	4.09
CW505SA3-311	ASSY,ARM,RIGHT,505,STONE HG	4.11
CW505SA3-321	ASSY,ARM,RIGHT,505,TITANIUM HG	4.12
CW505SA3-331	ASSY,ARM,RIGHT,505,WHITE GLOSS	4.13
CW505SA3-341	ASSY,ARM,RIGHT,505,BLACK ONYX	4.14
CW505SA3-351	ASSY,ARM,RIGHT,505,LIGHT BRONZE	4.15
CW505SA3-361	ASSY,ARM,RIGHT,505, SAPPHIRE BLUE	4.16
CW505SA5-211	ASSY,CAM,LEFT,505,SKY WHITE	5.01
CW505SA5-221	ASSY,CAM,LEFT,505,BLACK	5.02
CW505SA5-231	ASSY,CAM,LEFT,505,RED	5.03
CW505SA5-241	ASSY,CAM,LEFT,505,PLATINUM SPRKLE	5.04
CW505SA5-251	ASSY,CAM,LEFT,505,SILVER	5.05
CW505SA5-261	ASSY,CAM,LEFT,505,BLUE	5.06
CW505SA5-271	ASSY,CAM,LEFT,505,CHARCOAL	5.07
CW505SA5-281	ASSY,CAM,LEFT,505,CATHEDRAL GRAY	5.08
CW505SA5-291	ASSY,CAM,LEFT,505,SILVER VEIN	5.09
CW505SA5-311	ASSY,CAM,LEFT,505,STONE HG	5.11
CW505SA5-321	ASSY,CAM,LEFT,505,TITANIUM HG	5.12
CW505SA5-331	ASSY,CAM,LEFT,505,WHITE GLOSS	5.13
CW505SA5-341	ASSY,CAM,LEFT,505,BLACK ONYX	5.14
CW505SA5-351	ASSY,CAM,LEFT,505,LIGHT BRONZE	5.15
CW505SA5-361	ASSY,CAM,LEFT,505,SAPPHIRE BLUE	5.16
CW505SA6-211	ASSY,CAM,RIGHT,505,SKY WHITE	6.01
CW505SA6-221	ASSY,CAM,RIGHT,505,BLACK	6.02
CW505SA6-231	ASSY,CAM,RIGHT,505,RED	6.03
CW505SA6-241	ASSY,CAM,RIGHT,505,PLATINUM SPRKLE	6.04
CW505SA6-251	ASSY,CAM,RIGHT,505,SILVER	6.05
CW505SA6-261	ASSY,CAM,RIGHT,505,BLUE	6.06
CW505SA6-271	ASSY,CAM,RIGHT,505,CHARCOAL	6.07
CW505SA6-281	ASSY,CAM,RIGHT,505,CATHEDRAL GRAY	6.08
CW505SA6-311	ASSY,CAM,RIGHT,505,STONE HG	6.11
CW505SA6-321	ASSY,CAM,RIGHT,505,TITANIUM HG	6.12
CW505SA6-331	ASSY,CAM,RIGHT,505,WHITE GLOSS	6.13
CW505SA6-341	ASSY,CAM,RIGHT,505,BLACK ONYX	6.14
CW505SA6-351	ASSY,CAM,RIGHT,505,LIGHT BRONZE	6.15
CW505SA6-361	ASSY,CAM,RIGHT,505,SAPPHIRE BLUE	6.16
CWAC1009-101	PULLEY, 4 1/2 DIA. X 1/2 ID	10
CWAC1010-101	PULLEY, 6 DIA X 1/2 ID	11
CW10043-133	BUSHING, BRONZE, 3/4" ID X 1" OD	12
CW10043-134	BUSHING, BRONZE, 1" ID X 1 1/4" OD	13
CW12405-101	PILLOW BLOCK, BEARING, FLANGE, 4 BO	14
CW12404-101	CAP, GUIDE ROD,DIA 3/4, BLK	15

CW32460-321	ASSY, RATCHETING LEVER, TITANIUM	16
CW30501-751	ASSY, POP PIN, 0.450 DIA HANDLE, BL	17
CW11311-102	ENDCAP, REC TUBE, 2X4, BLK PLASTIC	18
CW10514-102	CAP, VINYL DIP MOLDED, DIA 2.00	19
CW12402-101	BUMPER, WEIGHT STACK, BLK RUBBER	20
CW12575-101	MOULDED BUMPON, BLACK, 31.75MM SQ (	21
CWGR2606-000	GRIP,RUBBER, 1" DIA, 6"	26
CWGR2603-125	GRIP,RUBBER, 1" DIA, 3-1/4"	27
CWAC1228-901	SPACER, ALU,.328 ID X .625 OD X .25	28
CWAC1229-901	SPACER, ALU,.328 ID X .625 OD X 1.5	29
CWAC218-901	HANDLE END CAP W/SET SCREWS, DIA 1"	31
CWPF1216-711	GUIDE ROD,3/4 X (62 5/8), (#6), CHM	33
CW30181-711	ASSY,SEAT SUPPORT,9 HOLE,CHM	34
CW32535-711	ASSEMBLY, SEAT ADJUSTMENT, 8 HOLE,	34
CWCP1046-101	CUT PIECE, CREPE, ROUND, .25 THICK,	35
CWCP8112-000	CUT PIECE, ABS CHANNEL,1/8 X 2 X 4	36
CWCP8106-000	CP, ABS CHANNEL, 1/8 X 2 X 4 X 6	37
CW30012-103	CUT PIECE, ABS BLACK, 1/8 X 1 3/4 X	38
CWCLHH178-500	ASSY, CABLE, 405, 505	39
CWPD1141J-101	PAD,4X19,2HOLES,W/BP,BLACK, W/SLIP	40.01
CWPD1141J-102	PAD,4X19,2HOLES,W/BP,RYL BL, W/SLIP	40.02
CWPD1141J-103	PAD,4X19,2HOLES,W/BP,DVE GRY, W/SLI	40.03
CWPD1141J-104	PAD,4X19,2HOLES,W/BP,CROCUS, W/SLIP	40.04
CWPD1141J-105	PAD,4X19,2HOLES,W/BP,GROTTO, W/SLIP	40.05
CWPD1141J-106	PAD,4X19,2HOLES,W/BP,GRAPHITE, W/SL	40.06
CWPD1141J-107	PAD,4X19,2HOLES,W/BP,RED, W/SLIP	40.07
CWPD1141J-108	PAD,4X19,2HOLES,W/BP,CHN GRN, W/SLI	40.08
CWPD1141J-109	PAD,4X19,2HOLES,W/BP,TURQSE,W/SLIP	40.09
CWPD1141J-110	PAD,4X19,2HOLES,W/BP,RASP,W/SLIP	40.1
CWPD1141J-111	PAD,4X19,2HOLES,W/BP,PLUM, W/SLIP	40.11
CWPD1141J-112	PAD,4X19,2HOLES,W/BP,REGIMENT,W/SLI	40.12
CWPD1141J-113	PAD,4X19,2HOLES,W/BP,SPC BLUE,W/SLI	40.13
CWPD1141J-115	PAD,4X19,2HOLES,W/BP,BLK LTHR,W/SLI	40.15
CWPD1141J-116	PAD,4X19,2HOLES,W/BP,NVBL LTH,W/SLI	40.16
CWPD1141J-117	PAD,4X19,2HOLES,W/BP,PUTTY,W/SLIP	40.17
CWPD1141J-118	PAD,4X19,2HOLES,W/BP,IMPRL BL,W/SLI	40.18
CWPD1141J-119	PAD,4X19,2HOLES,W/BP,YEW GRN,W/SLIP	40.19
CWPD1141J-120	PAD,4X19,2HOLES,W/BP,DSTY JD,W/SLIP	40.2
CWPD1141J-121	PAD,4X19,2HOLES,W/BP,TER COT,W/SLIP	40.21
CWPD1141J-122	PAD,4X19,2HOLES,W/BP,PAPRIKA,W/SLIP	40.22
CWPD1141J-123	PAD,4X19,2HOLES,W/BP,ASH LTHR,W/SLI	40.23
CWPD1141J-124	PAD,4X19,2HOLES,W/BP,CERULEAN LTHR,	40.24
CWPD1141J-125	PAD,4X19,2HOLES,W/BP,CHARCOAL LTHR,	40.25
CWPD1141J-126	PAD,4X19,2HOLES,W/BP,HUNTER LTHR,W/	40.26
CWPD1141J-127	PAD,4X19,2HOLES,W/BP,MOSS LTHR,W/SL	40.27
CWPD1141J-128	PAD,4X19,2HOLES,W/BP,SPICE LTHR,W/S	40.28
CWPD1141J-129	PAD,4X19,2HOLES,W/BP,TOMATO LTHR,W/	40.29
CWPD1207A-101	PAD,5X9X14.5,4HOLES,BLACK	41.01
CWPD1207A-102	PAD,5X9X14.5,4HOLES,RYL BL	41.02
CWPD1207A-103	PAD,5X9X14.5,4HOLES,DVE GRY	41.03
CWPD1207A-104	PAD,5X9X14.5,4HOLES,CROCUS	41.04

CWPD1207A-105	PAD,5X9X14.5,4HOLES,GROTTO	41.05
CWPD1207A-106	PAD,5X9X14.5,4HOLES,,GRAPHITE	41.06
CWPD1207A-107	PAD,5X9X14.5,4HOLES,RED	41.07
CWPD1207A-108	PAD,5X9X14.5,4HOLES,CHN GRN	41.08
CWPD1207A-109	PAD,5X9X14.5,4HOLES,TURQSE	41.09
CWPD1207A-110	PAD,5X9X14.5,4HOLES,RASP	41.1
CWPD1207A-111	PAD,5X9X14.5,4HOLES,PLUM	41.11
CWPD1207A-112	PAD,5X9X14.5,4HOLES,REGIMENT	41.12
CWPD1207A-113	PAD,5X9X14.5,4HOLES,SPC BLUE	41.13
CWPD1207A-115	PAD,5X9X14.5,4HOLES,BLK LTHR	41.15
CWPD1207A-116	PAD,5X9X14.5,4HOLES,NVBL LTH	41.16
CWPD1207A-117	PAD,5X9X14.5,4HOLES,PUTTY	41.17
CWPD1207A-118	PAD,5X9X14.5,4HOLES,IMPRL BL	41.18
CWPD1207A-119	PAD,5X9X14.5,4HOLES,YEW GRN	41.19
CWPD1207A-120	PAD,5X9X14.5,4HOLES,DSTY JD	41.2
CWPD1207A-121	PAD,5X9X14.5,4HOLES,TER COT	41.21
CWPD1207A-122	PAD,5X9X14.5,4HOLES,PAPRIKA	41.22
CWPD1207A-123	PAD,5X9X14.5,4HLS,ASH LTHR	41.23
CWPD1207A-124	PAD,5X9X14.5,4HLS,CERULAN LTHR	41.24
CWPD1207A-125	PAD,5X9X14.5,4HLS,CHARCOAL LTHR	41.25
CWPD1207A-126	PAD,5X9X14.5,4HLS,HUNTER LTHR	41.26
CWPD1207A-127	PAD,5X9X14.5,4HLS,MOSS LTHR	41.27
CWPD1207A-128	PAD,5X9X14.5,4HLS,SPICE LTHR	41.28
CWPD1207A-129	PAD,5X9X14.5,4HLS,TOMATO LTH	41.29
CWPF1016-731	BAR,,FLAT CR/HR, 3/8 X 2 X 8 1/4, 3	42
CWPF1256-731	TUBE,STEEL, RND, DOM, 2 OD X 1 ID X	43
CWSA1612-731	ASSY,CAM SHAFT PIVOT, BLK ZN	44
CWSA2052-721	ASSY,CAM SELECTOR, WRKL BLK	45
CWHCYN044-375	SCREW, HEX HEAD , BLK XYLA	47
CWKADLN050-081	NUT, ACORN, 1/2-13	48
CWKMYN044-038	NUT, HEX, UNC, 7/16-14, BLK XYLAN	49
CWKAYN031-025	LOCKNUT, NYLON INSERT, HALF, UNC,	50
CWKAYN063-075	LOCKNUT, NYLON INSERT, FULL, UNC, 5	51
CW12537-109	NUT,INSERT,THIN-NUT,LARGE FLANGE	52
CW12537-109	NUT,INSERT,THIN-NUT,LARGE FLANGE	53
CWLDNN031-200	PIN, ROLL, DIA 5/16 X 2.00	53
CWLDNN031-200	PIN, ROLL, DIA 5/16 X 2.00	54
CWTAYN031-125	SCREW, BUTTON HEAD, BLK XYLAN, 5/1	54
CWTAYN031-100	SCREW, BUTTON HEAD, BLK XYLAN, 5/1	55
CWTAYN031-150	SCREW, BUTTON HEAD, BLK XYLAN,5/16	56
CWTAYN031-250	SCREW, BUTTON HEAD, BLK XYLAN, 5/	57
CWBFNN050-250	STUD, 1/2-13 X 2 1/2	58
CWWBKN031-007	WASHER, FLAT, TYPE A, SAE, 5/16 ID	59
CWWALYN031-008	WASHER, SPLIT, 5/16 ID, BL	60
CWWALYN044-011	WASHER, SPLIT, 7/16 ID, BLK XYLAN	61
CWWALYN050-013	WASHER, SPLIT, 1/2 ID, BLK XYLAN	62
CWRANN063-300	BOLT, SHOULDER, 5/8 - 11 X 3/4 X 3	63
CWRANN019-125	BOLT, SHOULDER, 10-24 X 1/4 X 1 1/4	64
CWKDYN019-023	LOCKNUT, NYLON INSERT, FULL,UNC, 10	65
CW31756-101	LABEL, PRECOR USA ICARIAN LINE	66
CWLDNN031-200	PIN, ROLL, DIA 5/16 X 2.00	67

CW30010-101	LABEL,WARNING STRENGTH	68
CW30042-101	LABEL,INSTRUCTION,505	69
CW31756-101	LABEL, PRECOR USA ICARIAN LINE	69
CW31784-731	STOP PLUG, BLK ZN	70
CW12634-101	SPRING, TORSION 90 DEG X 0.484 X 0.	72
CW31770-742	LATCH PIVOTING PIN, CLR ZN	73
CWAMNN028-003	RING, RETAINING, 2-TURN, SPIRAL, SS	74
CW12633-101	ENDCAP, REC TUBE, LDP, 1 1/2 X 3 1	75
CW30181-711	ASSY,SEAT SUPPORT,9 HOLE,CHM	76
CW30165-751	ASSY, POP PIN, 0.450 DIA HANDLE, B	77
CWAC1236-101	GUIDE INSERT, PLASTIC WITHOUT HOLE,	99
CWAC1236-102	GUIDE INSERT, PLASTIC WITH HOLE, BL	100
CWAC220-901	HANDLE END CAP W/SET SCREWS, DIA 3/	101
CWGR2505-000	GRIP,RUBBER,3/4" DIA, 5"	102
CW10510-721	ASSY, PLATE, WEIGHT, 10 LBS, WRKL B	201
CW10520-721	ASSY, PLATE, WEIGHT, 20 LBS, WRKL B	202
CWAC1133-101	BUSHING, WEIGHT PLATE, LDPE PLASTIC	203
CW30173-751	ASSY, 6.00 IN WEIGHT STACK PIN AND	228
CWLDNN038-200	PIN, ROLL, DIA 3/8 X 2	250
CW30184-901	ASSY,BARREL, TOP PLATE,ALUMINUM	251
CW30391-721	WELDMENT, WEIGHT, TOP, MTP-S, PF118	257
CW30132-712	SELECTOR STEM, 20 PLATE,0 .875 DIA,	309
CWAC1185-101	LABL,KEEP HND&FT CLR(CEMCO)3/8X6.75	312
CW12401-106	LABEL, WEIGHT PLATE, 20 LBS/ 8 KG	319
CW12401-110	LABEL, WEIGHT PLATE, 30 LBS/ 13.6 K	323
CW12401-114	LABEL, WEIGHT PLATE, 40 LBS/ 18.2 K	327
CW12401-118	LABEL, WEIGHT PLATE, 50 LBS/ 22.7 K	331
CW12401-120	LABEL, WEIGHT PLATE, 60 LBS/ 27.3 K	333
CW12401-122	LABEL, WEIGHT PLATE, 70 LBS/ 31.8 K	335
CW12401-124	LABEL, WEIGHT PLATE, 80 LBS/ 36.4 K	337
CW12401-126	LABEL, WEIGHT PLATE, 90 LBS/ 40.9 K	339
CW12401-128	LABEL, WEIGHT PLATE, 100 LBS/ 45.5	341
CW12401-129	LABEL, WEIGHT PLATE, 110 LBS/ 50 KG	342
CW12401-130	LABEL, WEIGHT PLATE, 120 LBS/ 54.6	343
CW12401-132	LABEL, WEIGHT PLATE, 140 LBS/ 63.6	345
CW12401-134	LABEL, WEIGHT PLATE, 160 LBS/ 72.7	347
CW12401-136	LABEL, WEIGHT PLATE, 180 LBS/ 81.8	349
CW12401-138	LABEL, WEIGHT PLATE, 200 LBS/ 90.9	351
CW12401-140	LABEL, WEIGHT PLATE, 220 LBS/ 100 K	353
CW12401-142	LABEL, WEIGHT PLATE, 240 LBS/ 109.1	355
CW12401-144	LABEL, WEIGHT PLATE, 260 LBS/ 118.2	357
CW12401-145	LABEL, WEIGHT PLATE, 280 LBS/ 127.3	358
CW12401-146	LABEL, WEIGHT PLATE, 300 LBS/ 136.4	359
CW12401-147	LABEL, WEIGHT PLATE, 320 LBS/ 145.5	360
CW12537-109	NUT,INSERT,THIN-NUT,LARGE FLANGE	400
CW30126-101	LABEL,VINYL, PRECOR, 3.25 X 18.0	401
CWKAYN031-025	LOCKNUT, NYLON INSERT, HALF, UNC,	402
CWPF2308-721	BAR, FLAT 3/16 X 1 X (26 3/8), 4 BE	403
CWPF3143-211	SHROUD,SHEET,STEEL,3/32 THICK,4 BEN	404.01
CWPF3143-221	SHROUD,SHEET,STEEL,3/32 THICK,4 BEN	404.02
CWPF3143-231	SHROUD,SHEET,STEEL,3/32 THICK,4 BEN	404.03

CWPF3143-241	SHROUD,SHEET,STEEL,3/32 THICK,4 BEN	404.04
CWPF3143-251	SHROUD,SHEET,STEEL,3/32 THICK,4 BEN	404.05
CWPF3143-261	SHROUD,SHEET,STEEL,3/32 THICK,4 BEN	404.06
CWPF3143-271	SHROUD,SHEET,STEEL,3/32 THICK,4 BEN	404.07
CWPF3143-281	SHROUD,SHEET,STEEL,3/32 THICK,4 BEN	404.08
CWPF3143-291	SHROUD,SHEET,STEEL,3/32 THICK,4 BEN	404.09
CWPF3143-311	SHROUD,SHEET,STEEL,3/32 THICK,4 BEN	404.11
CWPF3143-321	SHROUD,SHEET,STEEL,3/32 THICK,4 BEN	404.12
CWPF3143-331	SHROUD,SHEET,STEEL,3/32 THICK,4 BEN	404.13
CWPF3143-341	SHROUD,SHEET,STEEL,3/32 THICK,4 BEN	404.14
CWPF3143-351	SHROUD,SHEET,STEEL,3/32 THICK,4 BEN	404.15
CWPF3143-361	SHROUD,SHEET,STEEL,3/32 THICK,4 BEN	404.16
CWPF3144-721	SHROUD BRKT,PLATE,STEEL,1/8 THICK,1	405
CWTAYN031-100	SCREW, BUTTON HEAD, BLK XYLAN, 5/1	406
CWWALYN031-008	WASHER, SPLIT, 5/16 ID, BL	407
CWWBKN031-007	WASHER, FLAT, TYPE A, SAE, 5/16 ID	408
CWAC1177-101	FLOOR PROTECTOR, RUBBER, 4.563 X 4.	501